

Flattop folding Cleats

Flattop are the original fold-down cleat first launched in 1991, from Saginaw in the great lakes region of the USA.

Made from high quality 316 stainless steel, Flattops are proven stronger and more durable than many conventional cleats and the lightweight lift-up cleats.

Laboratory tested and backed by a lifetime guarantee, Flattops have built a strong reputation based on their proven strength and durability.

Available in four different sizes - 4 1/2", 6", 8" and 10".

Purpose designed and made for boats, marinas, docks, Flattops are well established as the leading fold-down cleat amongst boatyards in the USA. Flattops have become the standard fold down cleat for Marina pontoons, docks and jetties.

Flattops are easier to fit than vertical lift-up cleats, requiring a much shallower cavity and they do not leak.

Template included with every cleat, stainless steel backing plate optional.



The Perfect Cleat



See over for dimensions and specifications

Oceanlift New Zealand

P.O. Box 303 012 North Harbour 0751 North Shore City New Zealand
Ph+649 4447537 Fax+649 4447511
mark@oceanlift.co.nz www.oceanlift.co.nz



Flat-Top Cleats

Product Dimensions

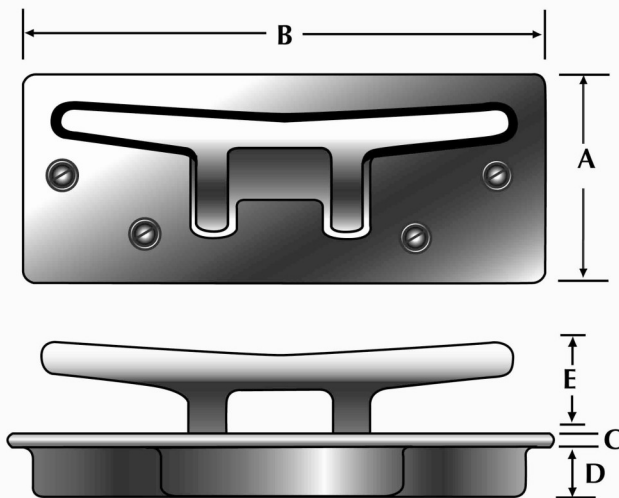


Inches (Fractional & Decimal)

Cleat Size	Width	Length	Plate Thickness	Recess Depth	Raised Cleat Height	Weight (lb.)
	A	B	C	D	E	
4 1/2	2 1/2 - 2.500	5 1/2 - 5.500	1/8 - .125	5/8 - .625	3/4 - .750	1.0
6	3 1/4 - 3.250	7 1/2 - 7.500	1/8 - .125	3/4 - .750	1 1/4 - 1.250	2.5
8	3 3/4 - 3.750	9 1/2 - 9.500	1/8 - .125	3/4 - .750	1 1/2 - 1.500	4.25
10	5 3/16 - 5.1875	12 1/2 - 12.500	1/4 - .250	1 3/8 - 1.375	2 1/8 - 2.125	12.25

Millimeters

Cleat Size	Width	Length	Plate Thickness	Recess Depth	Raised Cleat Height	Weight (kg)
	A	B	C	D	E	
4 1/2	63.50	139.70	3.18	15.88	19.05	.45
6	82.55	190.50	3.18	19.05	31.75	1.13
8	95.25	241.30	3.18	19.05	38.09	1.93
10	131.77	317.50	6.35	34.93	53.98	5.56



Available exclusively in New Zealand from Oceanlift New Zealand